



RGS Rebar Version 4.0.15

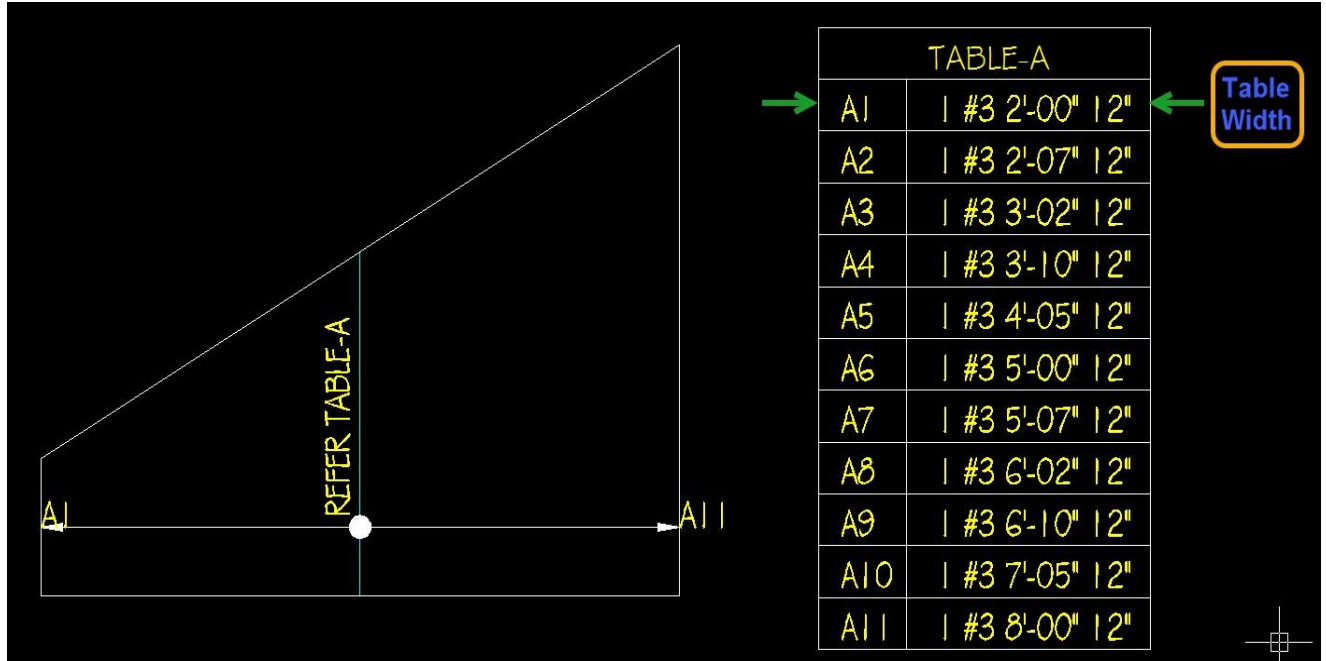
Release Notes

Date: 30-Apr-2019

Bugs Fixed

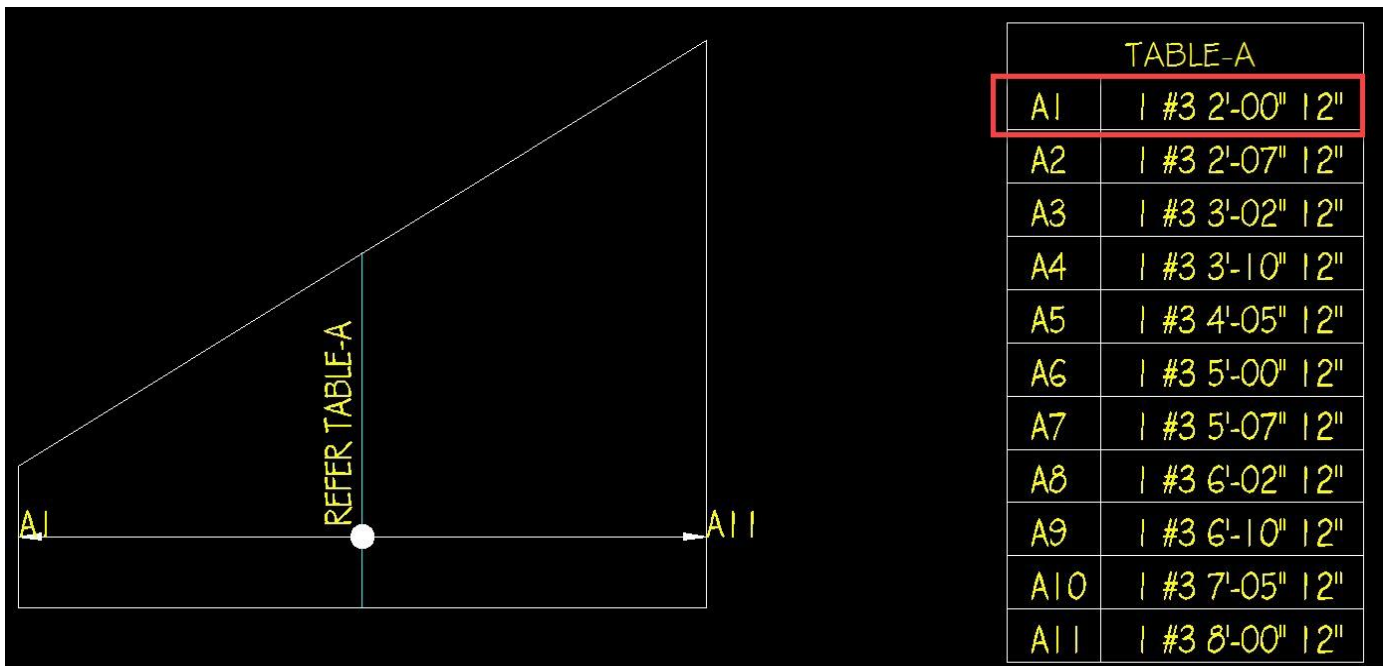
1. Varying Range Table Width

The Varying Range Table width getting adjusted with current scale area



2. Varying Range Table

The Starting rebar callout coming up with extra number, has been resolved for US Rebar Detailing Code



4. Audit Tool

Rebar Entities copied in Auto Cad will not get pasted in Active RGS Rebar, will show the Warning Message

