



**RGS Rebar** Version 4.0.18

**Release Notes**

**Date:** 11-July-2019

## A) New Feature

1. **Weight Report by bend Category** – Added Spreadsheet format for displaying detailed Weight Report of Straight, Light Bends and Heavy Bends separately.

**Please Note-** the following Bend Category report will only work in Microsoft Excel.

Weight Summary by Bend Category						
Element	TEST					
Dwg No.	147					
Project Name	ACI 315_99					
Grades used	Sizes used	Number of bars	Straight	Light	Heavy	Total weight
A615-60	#3	0	-	-	-	-
A615-60	#4	32	66.80	60.12	82.83	209.75
A615-60	#5	34	262.84	-	-	262.84
A615-60	#6	18	-	-	648.86	648.86
A615-60	#7	0	-	-	-	-
A615-60	#8	0	-	-	-	-
A615-60	#9	0	-	-	-	-
A615-60	#10	0	-	-	-	-
A615-60	#11	0	-	-	-	-
A615-60	#14	0	-	-	-	-
A615-60	#18	0	-	-	-	-
<b>Total</b>		84.00	329.64	60.12	731.70	<b>1,121.45</b>

2. **Bangladesh Detailing Codes-** Added all grades and bend shapes with reports for Bangladesh Country.

**Job Properties**

Country : BANGLADESH

Detailing Code : BNBC

Load Job

**Job Details**

Job No :

Client Job No :

Client Name :

Job Location :

Job Name :

Takeoff Folder :  ...

Title Block Settings  Place Title Block

Scale Dimensions and Other Text's

Bid Items Job Preferences Bar Defaults OK Cancel

## B) Improvements

1. **Sequence Number for Bar Mark Syntax** – Included 'Maximum No. of characters for Sequence number' under Bar Mark Tab in Job Preference so that the User can input their desired digits in it. If No. of digits is 2, then the Bar Mark will be 3A01 and when No. of digits is 3, the Bar Mark will be 3A001.

CAD Standards	Presentation Settings	Bar Mark	Callout	Label	Reports	Others	Range Text	Std_BendShape_Editor
<b>Bar Mark Generation</b> <input checked="" type="radio"/> Auto <input type="radio"/> Manual								
<b>Auto Bar Marking</b> <input checked="" type="radio"/> Assign as per Bar Mark Syntax <input type="radio"/> Assign as per NewYork IBM File <input type="checkbox"/> Based on Element Mark File								
<b>Fixed Bar Marking</b> Select the File <input type="text"/>								
<b>Bar Mark Syntax</b>								
Available Fields: Major Leg Dimension, Alias, BarNo, BarType								
Selected Fields: Bar Size, AlphaCode, Sequence Number								
Custom Text <input type="text"/> <input type="button" value="Add"/>								
Sample Format : 10A001								
<input type="checkbox"/> Retain Old Bar Mark <input type="checkbox"/> Assign Bar Mark for Straight Bars <input type="checkbox"/> Allow to Edit Bar Mark								
Bar Mark Border: <input type="text" value="None"/> <input type="button" value="v"/>								
<input checked="" type="radio"/> Auto Size <input type="radio"/> Fixed Size <input type="text" value="0"/> mm								
<b>Bar Mark Affecting Factors</b>								
Available Fields: Coating, Element Mark, Grade, SteelType								
Selected Fields: BendType, BarSize, EndPreparations, LegValues, AlphaCode								
Max. No. of Characters for Bar Mark: <input type="text" value="6"/>								
Starting Bar No: <input type="text"/>								
Max.No.of Characters for Sequence No: <input type="text" value="3"/>								
<b>Varying Bar Marking</b>								
<input type="checkbox"/> Assign Bar Mark for Straight Bars in Varying Set								
<input type="checkbox"/> Assign Same Bar Mark for Varying Sets of Same Properties								
<input checked="" type="radio"/> Separate Bar Mark for each bar in varying set <input type="checkbox"/> Format 2								
<input checked="" type="checkbox"/> Table Output (Individual callout for each bar)								
<input type="radio"/> Single Bar Mark for varying set with varying suffix								
<input type="radio"/> 01 (001-010) <input type="radio"/> 01A-01Z <input type="radio"/> 01 (A-Z)								
<input type="radio"/> 01 (1-10) <input type="radio"/> 01a-01z <input checked="" type="radio"/> 01 (a-z)								
<input type="radio"/> 01 (Min.Length-Max.Length) <input type="checkbox"/> Do not Show suffix in Callout								
Bar Mark format in Reports: <input type="text" value="01(a)"/>								

# C) Bug Fixed

## 1. Optimization Report Weight – The Rebar weight display issue in Optimization Report is fixed.



### Optimization Report

Drawing No. :

Revision No. :0

Drawing Title :

Grade	Barsize	Detailed Weight (lbs)	Stock Bar Weight (lbs)	Offcut Weight (lbs)	Scrap Weight (lbs)
A615-60	#4	96.19	106.88	10.69	0
A615-60	#5	1013.8	1126.44	89.7	22.95
A615-60	#6	1718.91	1922.56	147.95	55.7
<b>Total</b>		2828.9	3155.88	248.34	78.65
				7.87%	2.49%

Grade :A615-60	Stock Bar Weight :106.88 lbs	Offcut Weight :10.69 lbs	Scrap Weight :0 lbs
Barsize :#4	Detailed Weight :96.19 lbs	Offcut % :10%	Scrap % :0%

Stock Length (Feet-inches)	Quantity	Cutting Length(Feet-inches)			
40'-00"	4	S1/0] 12'-00"	S1/0] 12'-00"	S1/0] 12'-00"	OFFCUT 4'-00"

Grade :A615-60	Stock Bar Weight :1126.44 lbs	Offcut Weight :89.7 lbs	Scrap Weight :22.95 lbs
Barsize :#5	Detailed Weight :1013.8 lbs	Offcut % :7.96%	Scrap % :2.04%

Stock Length (Feet-inches)	Quantity	Cutting Length(Feet-inches)			
40'-00"	7	S1/5A002[16] 15'-08"	S1/5A002[16] 15'-08"		OFFCUT 8'-08"
40'-00"	8	S1/5A001[1] 21'-02"	S1/5A002[16] 15'-08"		OFFCUT 3'-02"
40'-00"	12	S1/5A001[1] 21'-02"	S1/0] 17'-00"		SCRAP 1'-10"

Grade :A615-60	Stock Bar Weight :1922.56 lbs	Offcut Weight :147.95 lbs	Scrap Weight :55.7 lbs
Barsize :#6	Detailed Weight :1718.91 lbs	Offcut % :7.7%	Scrap % :2.9%

Stock Length (Feet-inches)	Quantity	Cutting Length(Feet-inches)			
40'-00"	1	S1/6A003[16] 16'-09%	S1/6A003[16] 16'-09%		OFFCUT 6'-042"
40'-00"	11	S1/6A001[16] 15'-09%	S1/6A001[16] 15'-09%		OFFCUT 8'-042"
40'-00"	20	S1/6A002[1] 21'-04"	S1/6A003[16] 16'-09%		SCRAP 1'-101"

2. **Use Existing Control Code** – The endless error message after checking the option ‘Use Existing Control code’ in Export BBS to Spreadsheet form is fixed.

**Export to Spread Sheet**

Report Format : Arrow  
Spread Sheet Template : C:\Program Files\RGS\RGS Rebar 4.0\SETTINGS FILES\SPRE

**Header Details**

Job Number : V6-139      Detailing Code : ACI 315\_99  
Job Name : ACI 315\_99      Drawing No. : 147  
Customer Name : RGS-CAD ENGG PVT LTD      Revision No. : 00  
Job Location : CHENNAI      Prepared By : SLS  
Description 1 : TEST      Prepared Date : 12-06-19  
Description 2 : TETS      Checked By : SLS  
Control Code : 001      Checked Date : 12-06-19  
Release No : 01      Reference :

**Selection Method**

Select Bars & Callouts  
 Select Element Marks

Use Existing Control Code  
 Include Bar Labels in selection  
 Include Bar Views in selection

Include Varying Bars  
 Separate Entry for each Varying Bar  
 Combined Entry for Varying Bars

Selected Color :

New Selection     Add Entities     Remove Entitie

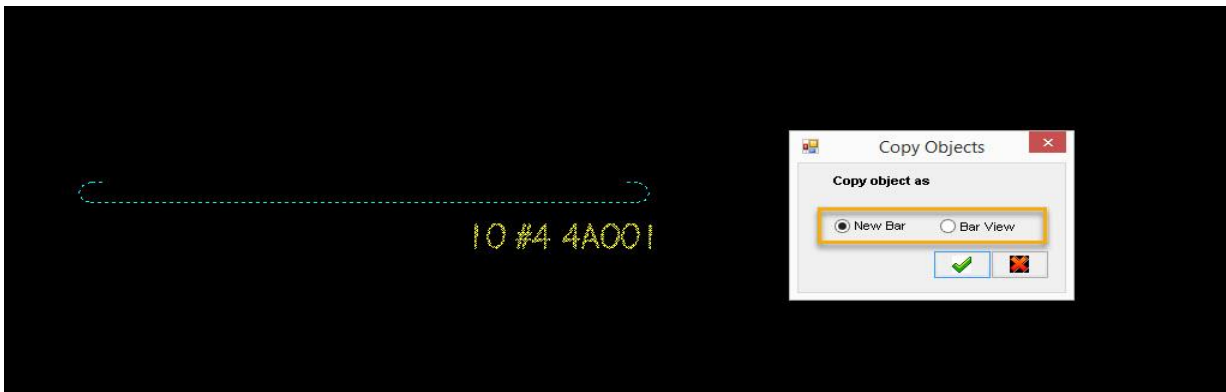
Multiple Grade  
 Add Weight Summary  
 Bend Type Category

Create Seperate File for Each Element Mark with Location

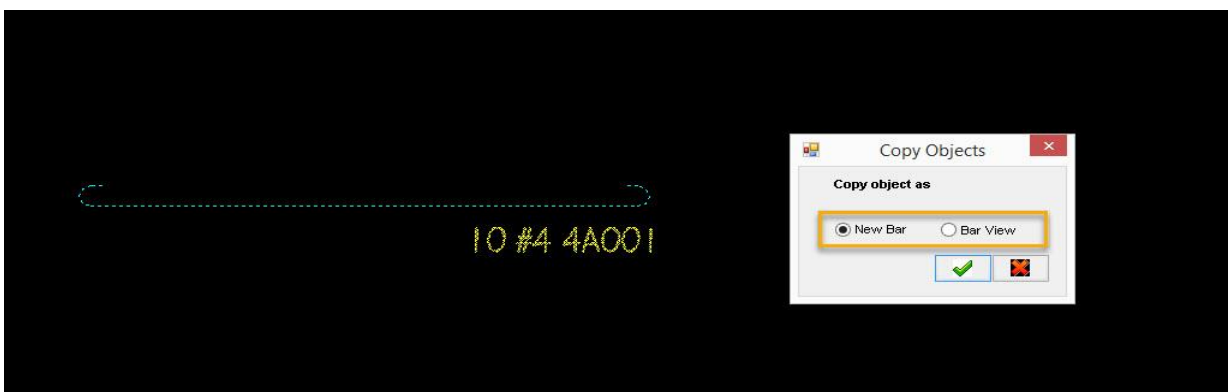
3. **Varying Range Alphabet Sequence** – The Alphabets represented in Varying Range Table such as AA, AB, AC, AD, etc., will follow the sequence after BA.

TABLE-BB		TABLE-BC	
BB1	1 #5 2'-06" 10" B I	BC1	1 #5 2'-06" 10" B I
BB2	1 #5 4'-01" 10" B I	BC2	1 #5 4'-01" 10" B I
BB3	1 #5 4'-00" 10" B I	BC3	1 #5 4'-00" 10" B I
BB4	1 #5 3'-11" 10" B I	BC4	2 #5 3'-11" 10" B I
BB5	1 #5 1'-00" 10" B I	BC5	1 #5 1'-00" 10" B I
BB6	1 #5 3'-08" 10" B I	BC6	1 #5 3'-08" 10" B I
BB7	1 #5 6'-03" 10" B I	BC7	1 #5 6'-03" 10" B I
BB8	1 #5 8'-09" 10" B I	BC8	1 #5 8'-09" 10" B I
BB9	1 #5 17'-07" 10" B I	BC9	1 #5 6'-03" 10" B I
BB10	1 #5 20'-02" 10" B I	BC10	1 #5 17'-07" 10" B I

4. **Message Prompt after copy command** – Whenever copying a Bar, the message box for copying as a 'New Bar' or 'Bar View' will appear.

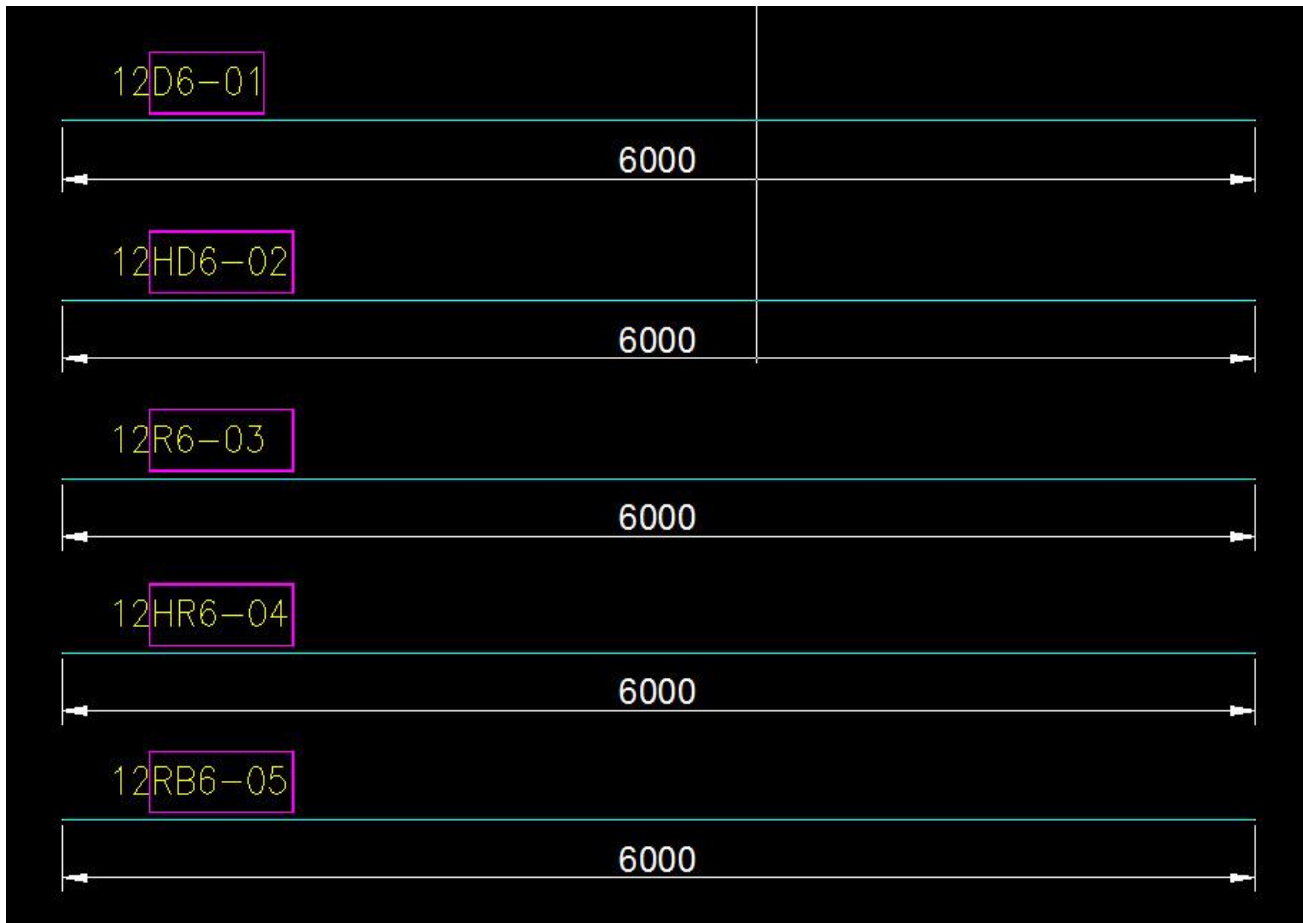


5. **Copy Rebar view error after move command** – Fixed copy rebar view error after move command

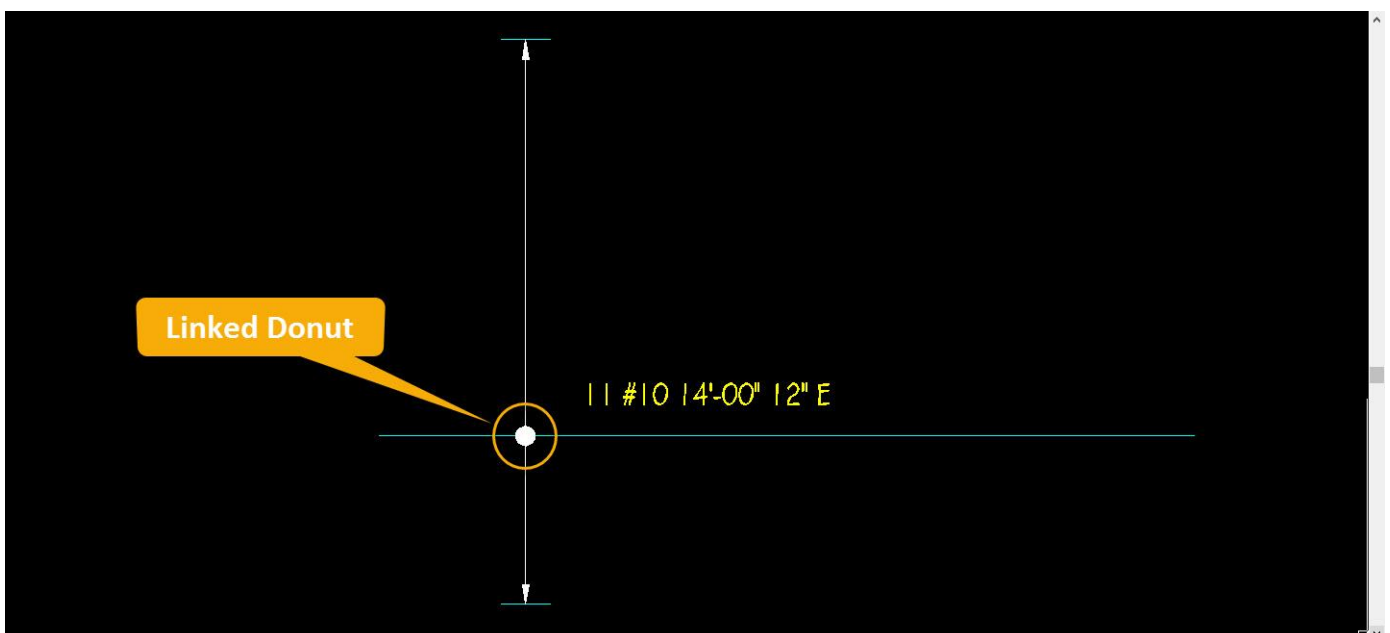




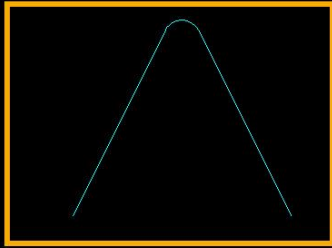
6. **Grade wise Bar Mark**– Fixed the issue of same Bar Mark for different Steel Grades. Added Grade and Steel Type under Bar Mark affecting factors in Job preference so that if different grades of Steel are used for same length Rebar, the Bar Mark will differ.



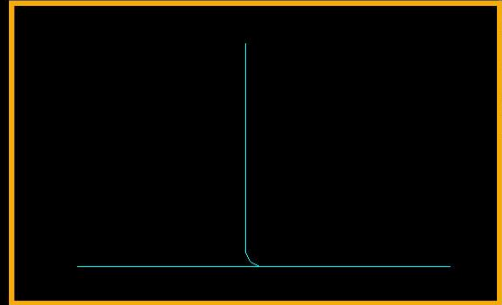
7. **Range Donut Deletion** – Whenever the Bar set is copied as a New Bar and deleted as a Set, the original Rebar set getting deleted is fixed and whenever a Rebar is deleted as a view, the Linked Donut will not get deleted.



8. **Stande Bar** – Fixed the Bend Shape in drawing file for Shape number 25 & 26.



4 #4 4A1 48" STANDEE



4 #4 4A2 48" STANDEE