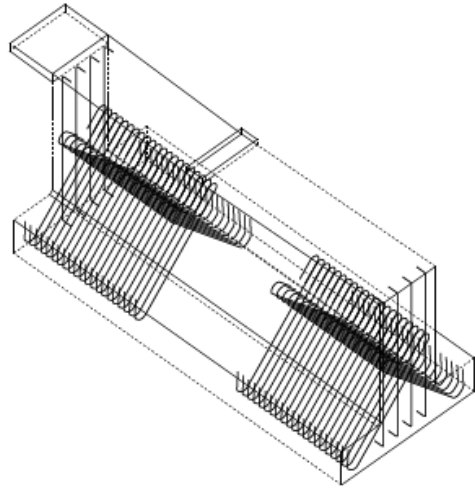


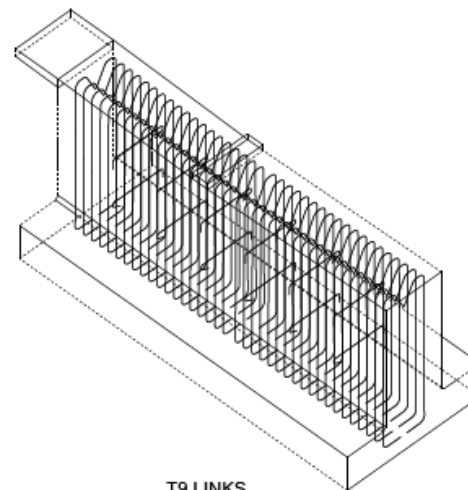
BOTTOM B1 & B2 LAYER BARS

SCALE 1/4"=1'-0"



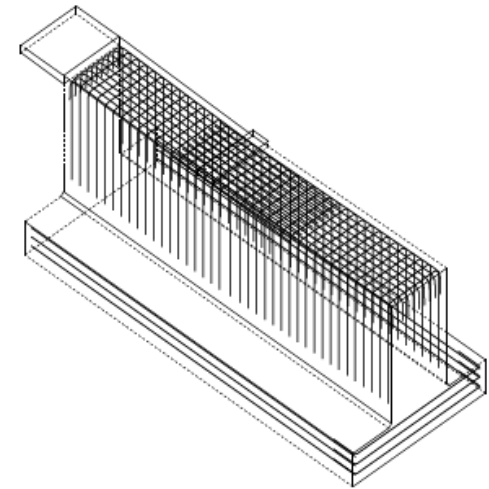
CROSS TIES & VERTICAL BARS

SCALE 1/4"=1'-0"



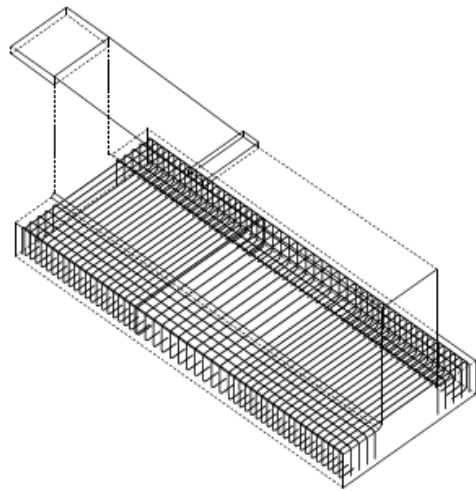
T9 LINKS

SCALE 1/4"=1'-0"



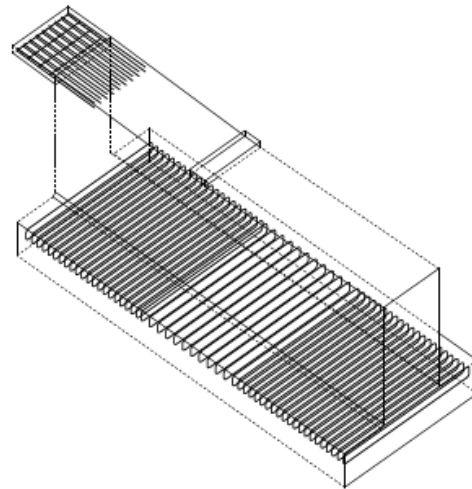
TOP TIES, SIDE BARS & TOP T1 LAYER BARS

SCALE 1/4"=1'-0"



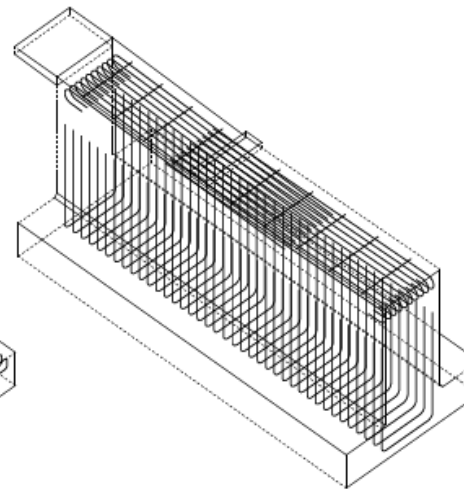
T1 & T2 LAYER BARS

SCALE 1/4"=1'-0"



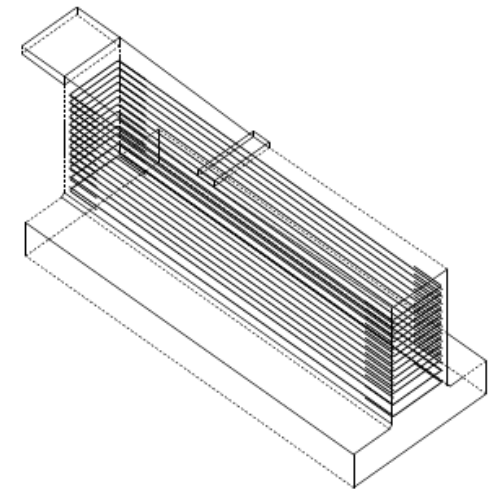
TOP SLAB & T3 LAYER BARS

SCALE 1/4"=1'-0"



BOTTOM TIES & TOP T2 LAYER BARS

SCALE 1/4"=1'-0"



SIDE BARS & SIDE U-BARS

SCALE 1/4"=1'-0"

GENERAL:
THIS DRAWING IS TO BE USED IN CONNECTION WITH THE STRUCTURAL SPECIFICATIONS AND CONTRACT DOCUMENTS. DO NOT USE THE DRAWING FOR ANY OTHER PURPOSES WITHOUT THE WRITTEN APPROVAL OF THE ARCHITECT. THE ARCHITECT'S OFFICE SHALL BE RESPONSIBLE FOR THE DESIGN AND CONSTRUCTION OF THE STRUCTURE.

GENERAL INSTRUCTIONS:
ALL BARS SHALL BE PLACED AS SHOWN UNLESS OTHERWISE NOTED IN THE CONTRACT DOCUMENTS. UNLESS OTHERWISE NOTED, ALL BARS SHALL BE PLACED AS SHOWN AND SHALL BE WELDED TOGETHER AT ALL INTERSECTIONS. ALL BARS SHALL BE WELDED TOGETHER AT ALL INTERSECTIONS. ALL BARS SHALL BE WELDED TOGETHER AT ALL INTERSECTIONS.

PROJECT INFORMATION	DATE	DATE	DATE	DATE	DATE
JOB #	DATE	DATE	DATE	DATE	DATE
DESCRIPTION	DATE	DATE	DATE	DATE	DATE
LOCATION	DATE	DATE	DATE	DATE	DATE
REVISIONS	DATE	DATE	DATE	DATE	DATE
NO. DATE	DATE	DATE	DATE	DATE	DATE

REVISIONS

NO.	DATE	DESCRIPTION

DATE: 11/11/2011
TIME: 11:11:11
JOB #:
DESCRIPTION:
LOCATION:
REVISIONS: