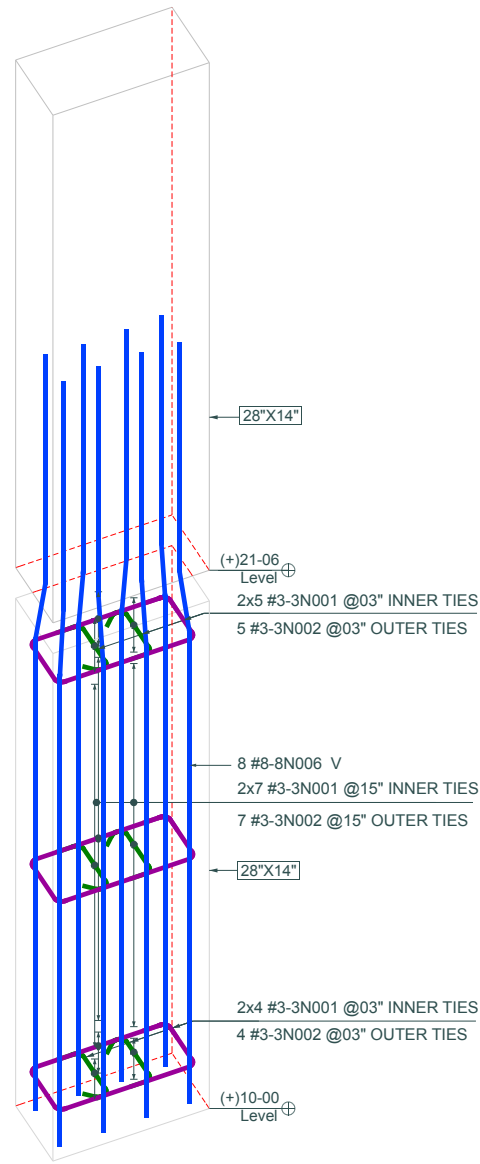
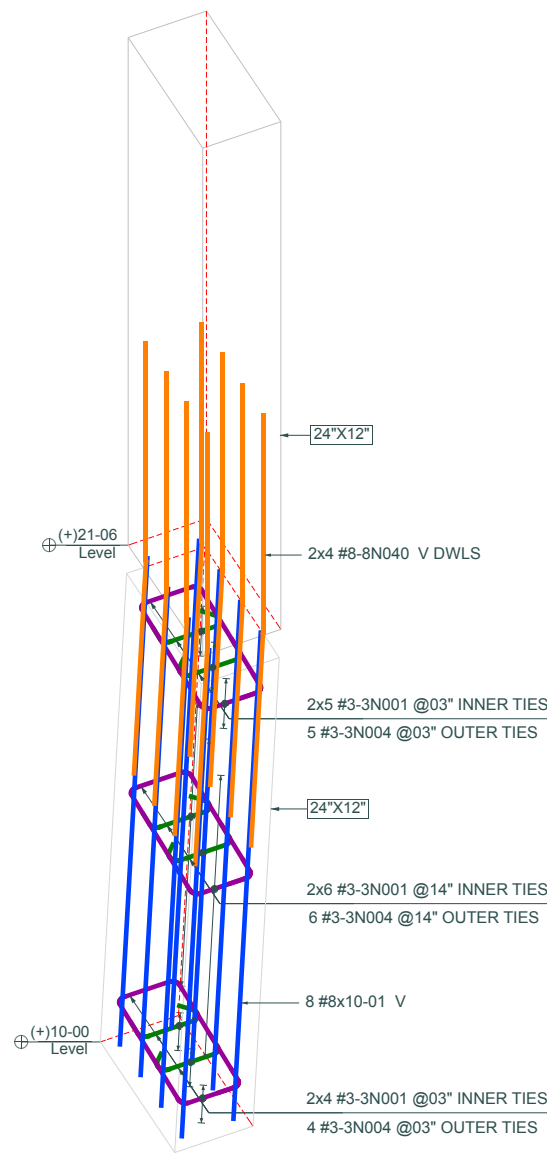


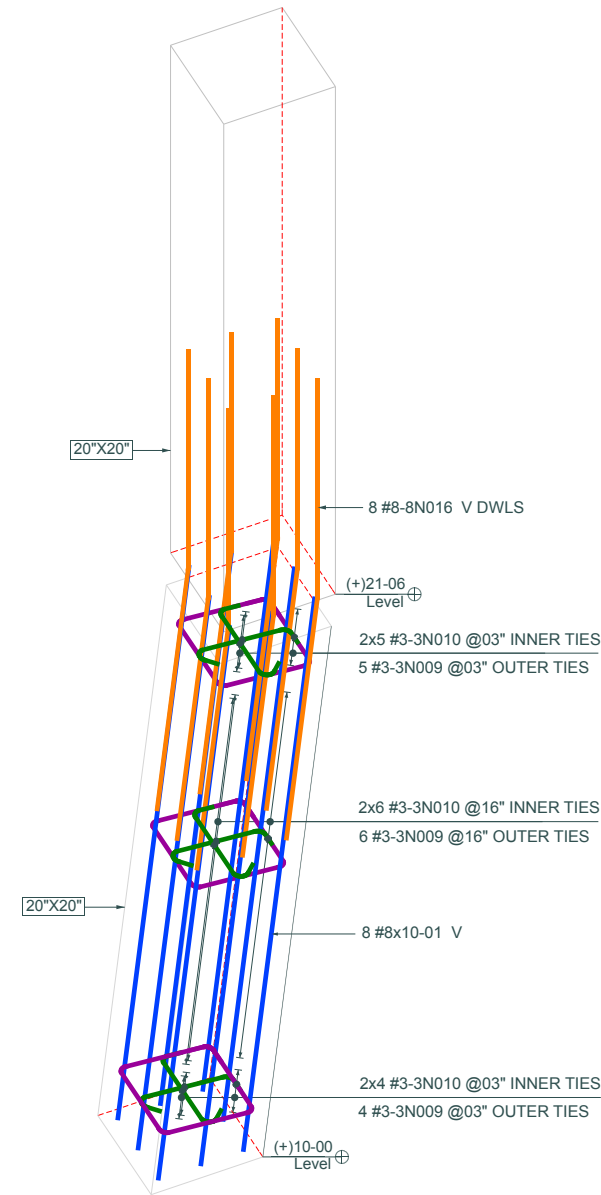
# COLUMN REINFORCEMENT DETAILS



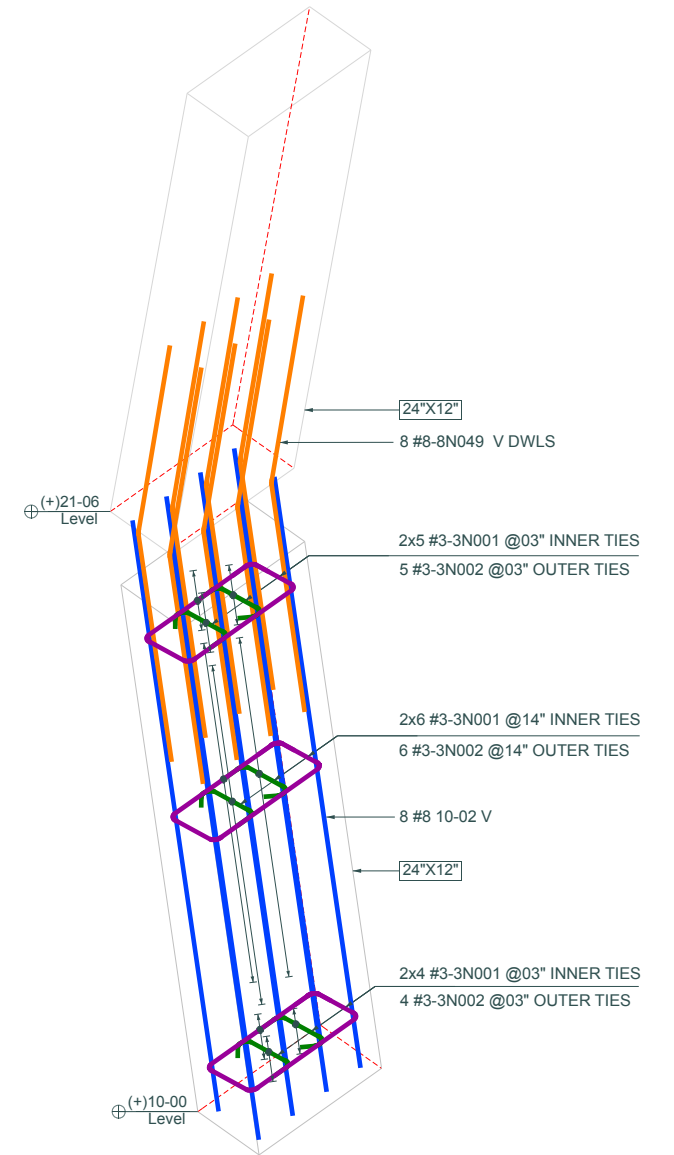
**COL-01**  
SCALE 1:15  
REFER SECTION: 01



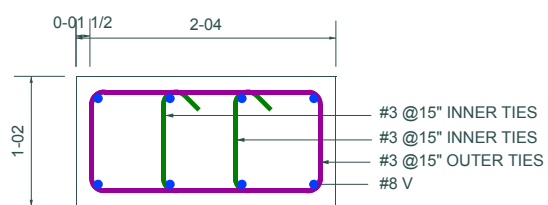
**COL-02**  
SCALE 1:15  
REFER SECTION: 02



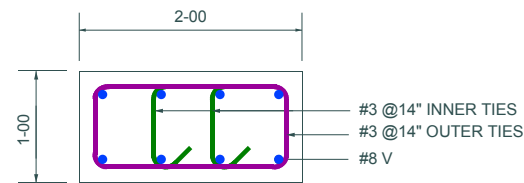
**COL-03**  
SCALE 1:15  
REFER SECTION: 03



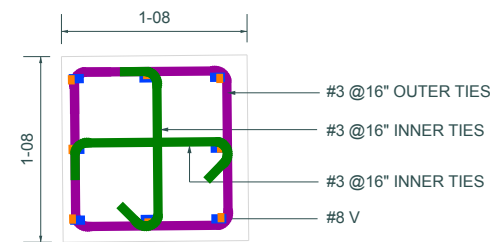
**COL-04**  
SCALE 1:15  
REFER SECTION: 04



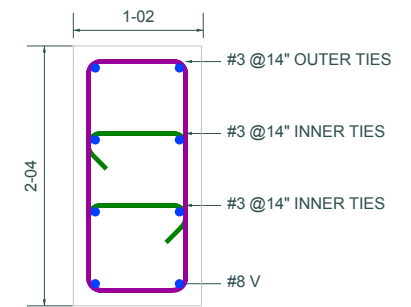
**SECTION-1**  
SCALE 1:10



**SECTION-2**  
SCALE 1:10

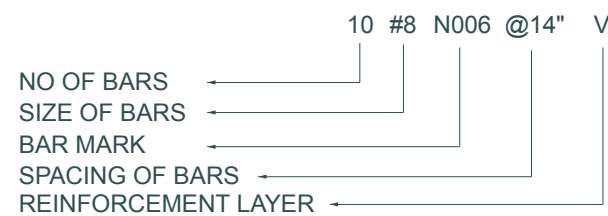


**SECTION-3**  
SCALE 1:10



**SECTION-4**  
SCALE 1:10

### BARMARK CALL UP KEY:



### ARCHITECTURAL REFERENCE:

FOR LEVEL 12 & 13: A0213, A0214, A0215, 1/A0310,2/A0312,1/A0311,A0302 &A0303

### STRUCTURAL REFERENCE:

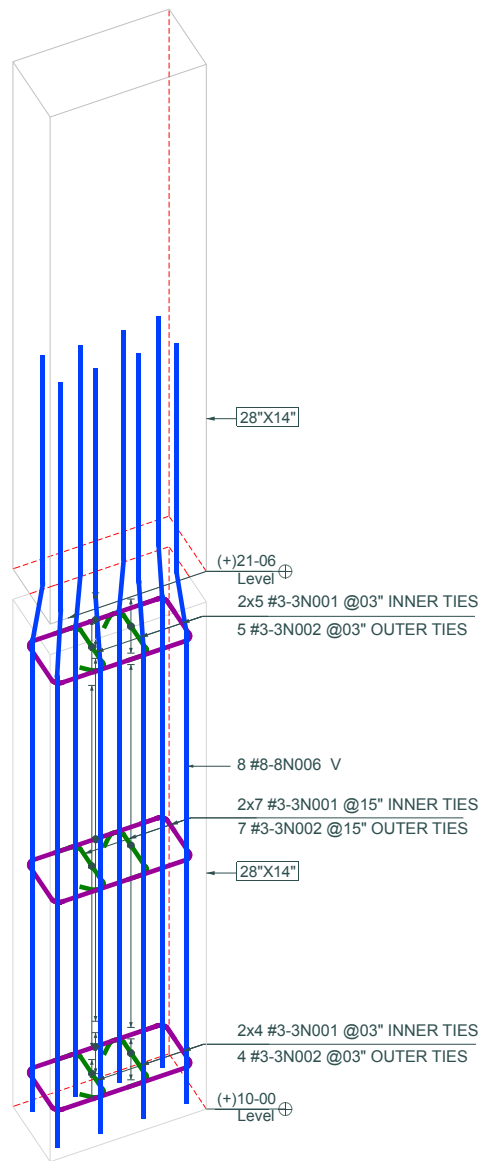
FOR LEVEL:12 FLOOR PLAN REF: S0224, S0224\_1, S0224\_2, S0224\_3.  
FOR LEVEL:13 FLOOR PLAN REF: S0225, S0225\_1, S0225\_2, S0225\_3.  
S0308

### COVER DETAILS:

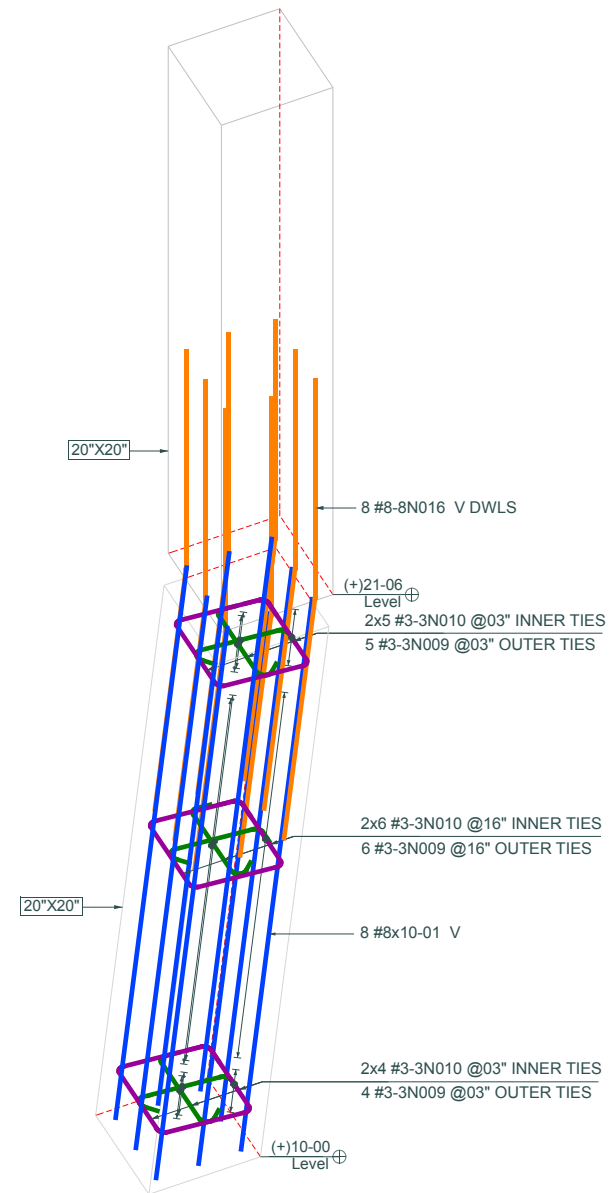
TYPICAL CLEARANCE ARE AS FOLLOW:-  
COLUMN:-  
TOP - 2"  
SIDE- 0-01 1/2"

### LEGEND

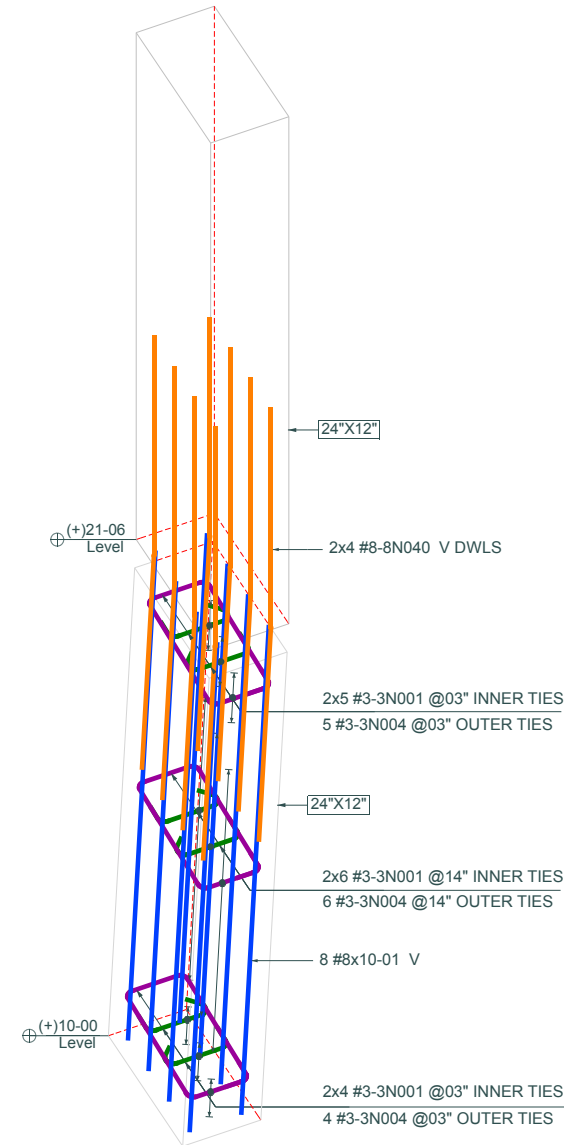
V	VERTICAL
TYP.	TYPICAL
REINF.	REINFORCEMENT
THK	THICKNESS
COL.	COLUMN
DWLS	DOWELS
SIM.	SIM.



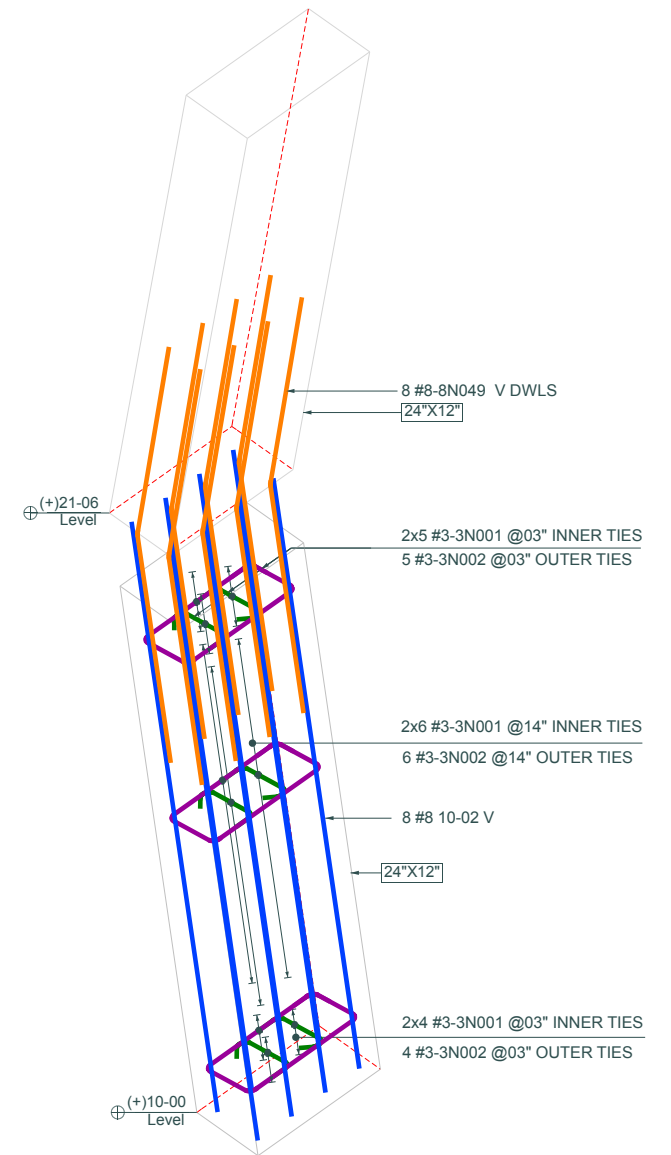
**COL-05**  
SCALE 1:15  
REFER SECTION: 02



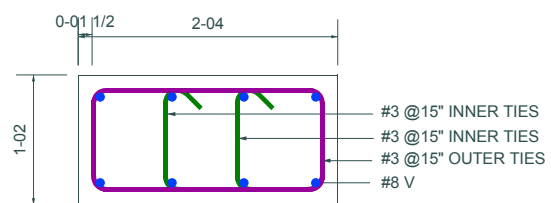
**COL-06**  
SCALE 1:15  
REFER SECTION: 01



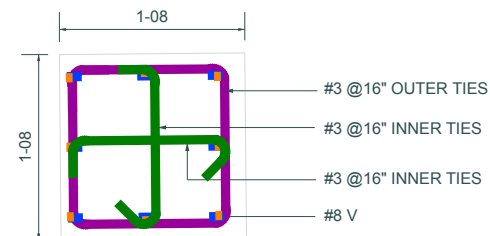
**COL-07**  
SCALE 1:15  
REFER SECTION: 03



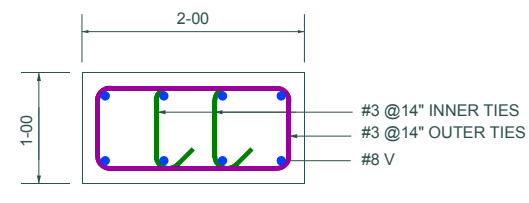
**COL-08**  
SCALE 1:15  
REFER SECTION: 04



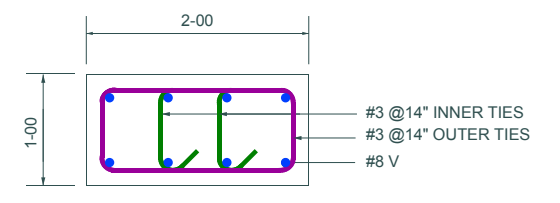
**SECTION-5**  
SCALE 1:10



**SECTION-6**  
SCALE 1:10

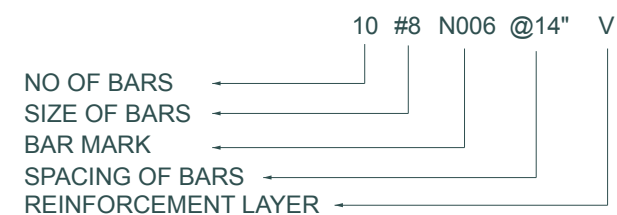


**SECTION-7**  
SCALE 1:10



**SECTION-8**  
SCALE 1:10

**BARMARK CALL UP KEY:**



**ARCHITECTURAL REFERENCE:**

FOR LEVEL 12 & 13: A0213, A0214, A0215, 1/A0310,2/A0312,1/A0311,A0302 &A0303

**STRUCTURAL REFERENCE:**

FOR LEVEL:12 FLOOR PLAN REF: S0224, S0224\_1, S0224\_2, S0224\_3.  
FOR LEVEL:13 FLOOR PLAN REF: S0225, S0225\_1, S0225\_2, S0225\_3.  
S0308

**COVER DETAILS:**

TYPICAL CLEARANCE ARE AS FOLLOW:-  
COLUMN:-  
TOP - 2"  
SIDE- 0-01 1/2"

**LEGEND**

V	VERTICAL
TYP.	TYPICAL
REINF.	REINFORCEMENT
THK	THICKNESS
COL.	COLUMN
DWLS	DOWELS
SIM.	SIM.

# BEND SCHEDULE

MARK	SIZE	QTY	SHAPE	A	B	C	D	E	F	G	H	J	K	O	R
3N001	#3	122	T9	0-04	0-11					0-04					
3N002	#3	46	T2	0-04	2-01	0-11	2-01	0-11		0-04					
3N004	#3	15	T2	0-04	0-11	2-01	0-11	2-01		0-04					
3N009	#3	15	T2	0-04	1-05	1-05	1-05	1-05		0-04					
3N010	#3	30	T9	0-04	1-05					0-04					
8N006	#8	8	31		8-11 1/2	1-01 3/4	4-04				0-02 3/4		1-01 1/2	14-05	
8N010	#8	8	3		5-01	4-02					0-09		4-01 1/4	9-02 1/4	
8N016	#8	8	3		4-05	4-02					0-06 1/4		4-01 3/4	8-06 3/4	
8N040	#8	8	3		4-05	4-02					0-05 1/4		4-01 3/4	8-06 3/4	

# REBAR WEIGHT SUMMARY

BAR SIZE	GRADE USED	NUMBER OF BARS	WEIGHT (LBS)
#8	A615-60	72	1908.60
#3	A615-60	228	284.75
Grand Total		300	2193.36

# BEND SHAPE CODE

