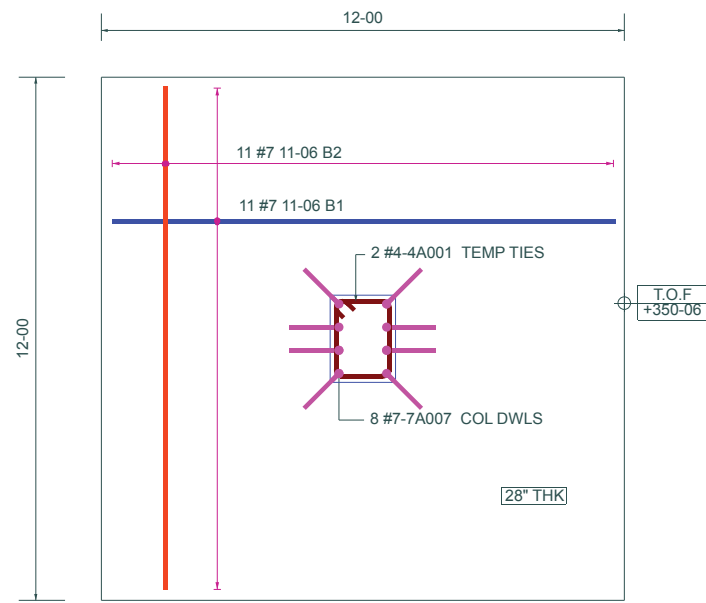
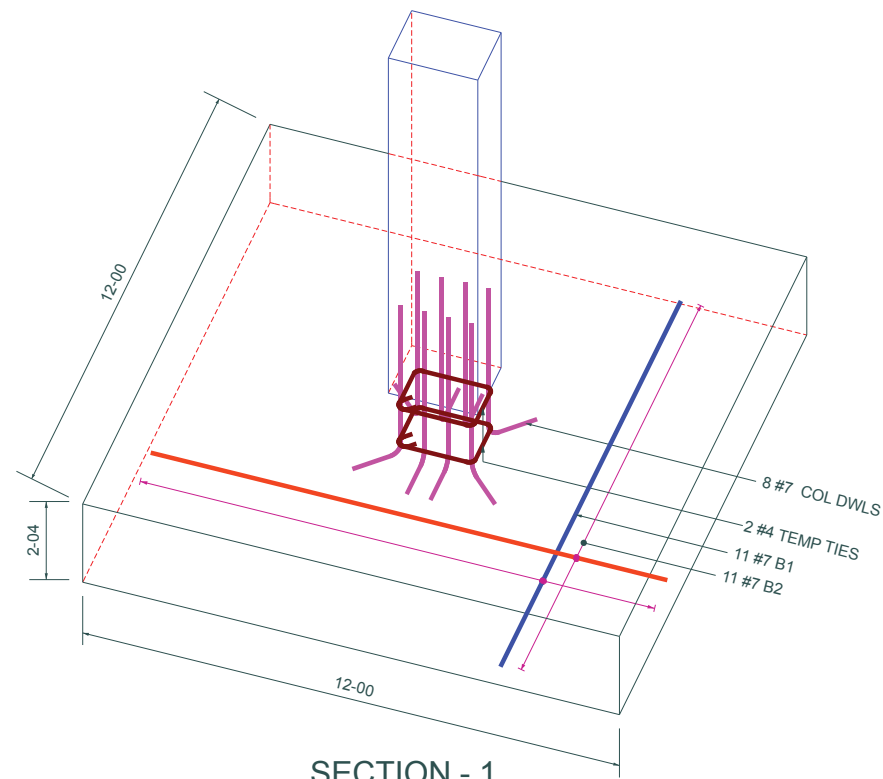


ISOLATED FOOTING REINFORCEMENT DETAILS



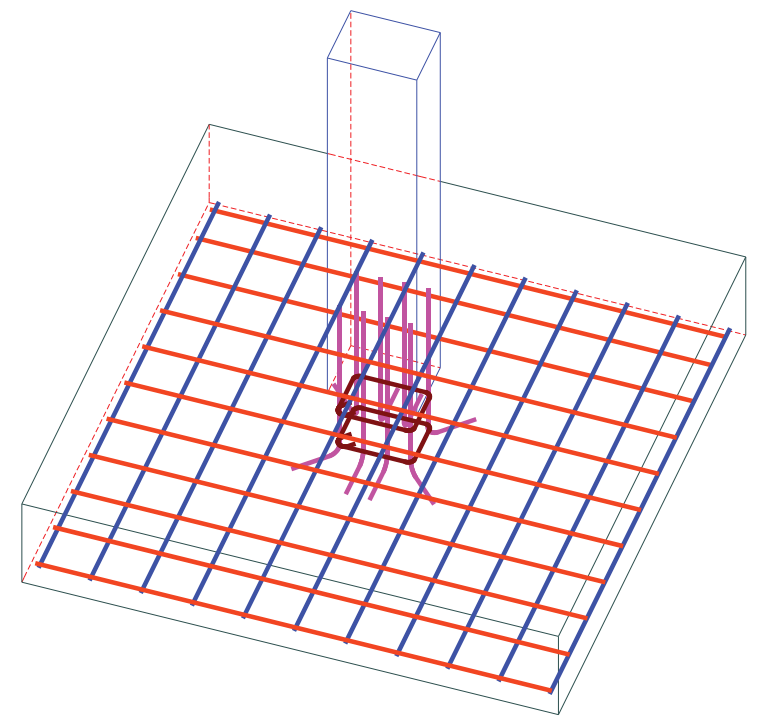
FOOTING - 3F12.0

NO OF FOOTINGS - 2
GRID LOCATION: (13-14@BB, 13-14@EE)
REFER SECTION-1

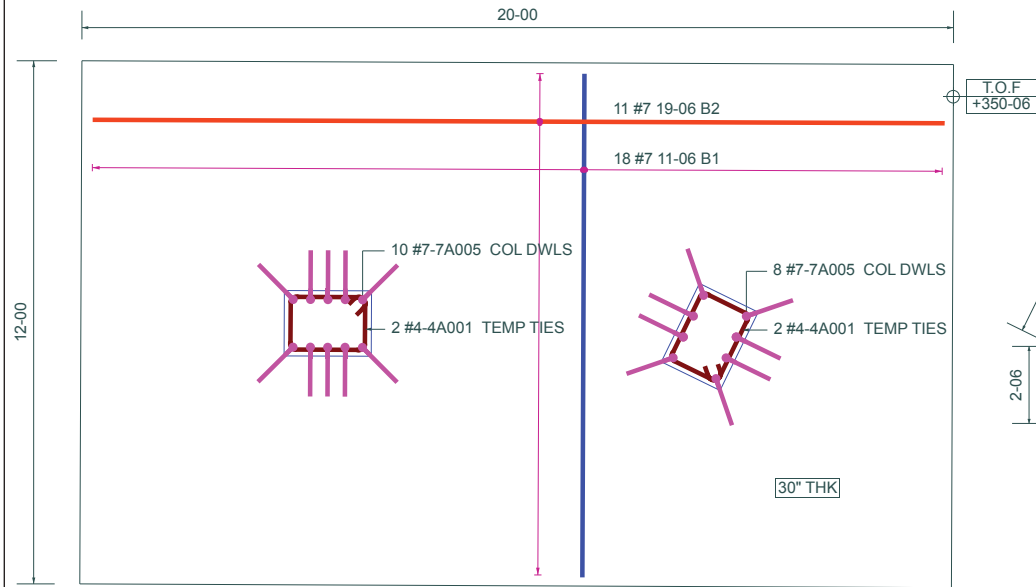


SECTION - 1

SCALE 1 : 15

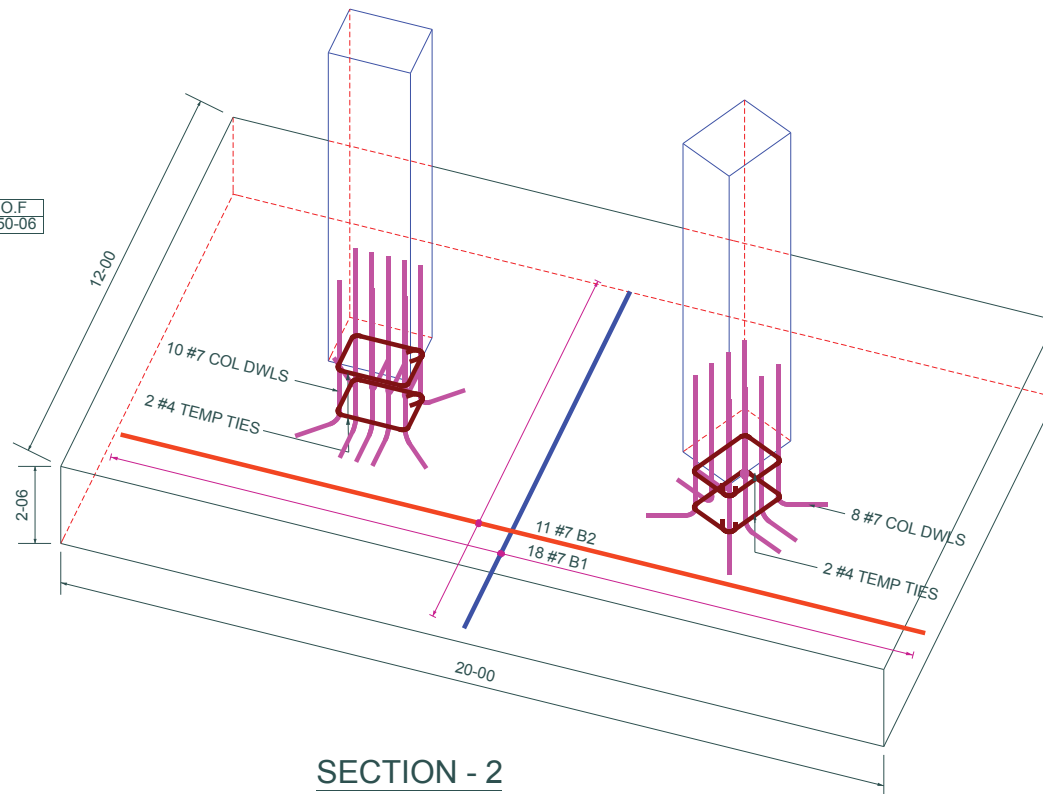


ISO-METRIC VIEW SECTION - 1



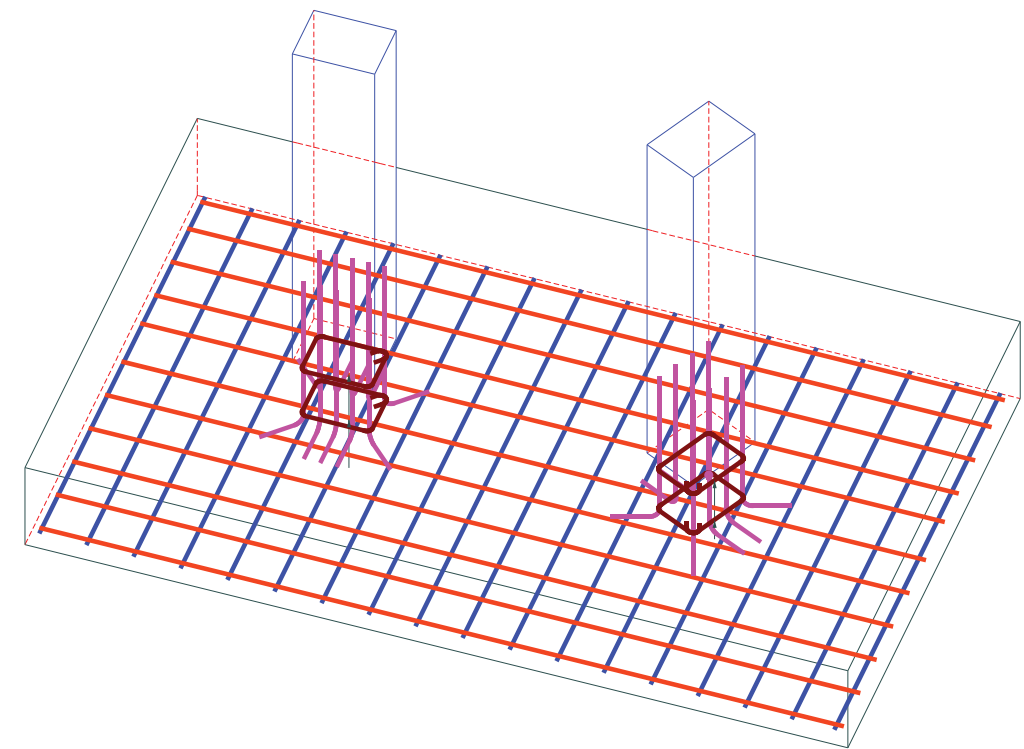
FOOTING - 3CF20.0x12.0

NO OF FOOTINGS - 1
GRID LOCATION: (12@DD)
REFER SECTION-2



SECTION - 2

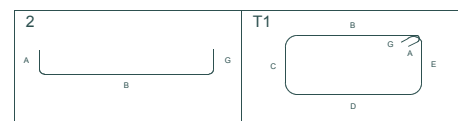
SCALE 1 : 15



ISO-METRIC VIEW SECTION - 2

BEND SCHEDULE

MARK	SIZE	QTY	SHAPE	A	B	C	D	E	F	G	H	J	K	O	R
4A001	#4	6	T1	0-04 1/2	1-03	1-09	1-03	1-09		0-04 1/2					
7A005	#7	18	2	1-02	4-07										
7A007	#7	8	2	1-02	4-05										



REBAR WEIGHT SUMMARY

BAR SIZE	GRADE USED	NUMBER OF BARS	WEIGHT (LBS)
#7	A615-60	77	1681.53
#4	A615-60	6	27.05
Grand Total		83	1708.58

COVER VALUE:

1. TYPICAL CLEARANCE ARE AS FOLLOWS
ISOLATED AND COMBINEF FOOTING

TOP - 2"
SIDE - 3"
BOTTOM - 3"

STRUCTURAL REFERENCE:

FOR GROUND LEVEL : S101a, S101b, S101c, S101d, S101e
FOR SECTION REF : S206, S219, S301, S302, S303, S304 & S305

ARCHITECTURAL REFERENCE:

FOR GROUND LEVEL : A100, A100a, A100b, A100c, A100d & A100e

LEGENDS:

B1 BOTTOM FIRST LAYER
B2 BOTTOM SECOND LAYER
DWLS DOWELS
COL COLUMN
THK. THICKNESS
REINF. REINFORCEMENT
T.O.F TOP OF FOOTING

BARMARKUP CALL UP KEY:

